

Fireplace insert Varia B-FDh-4S

elevating door



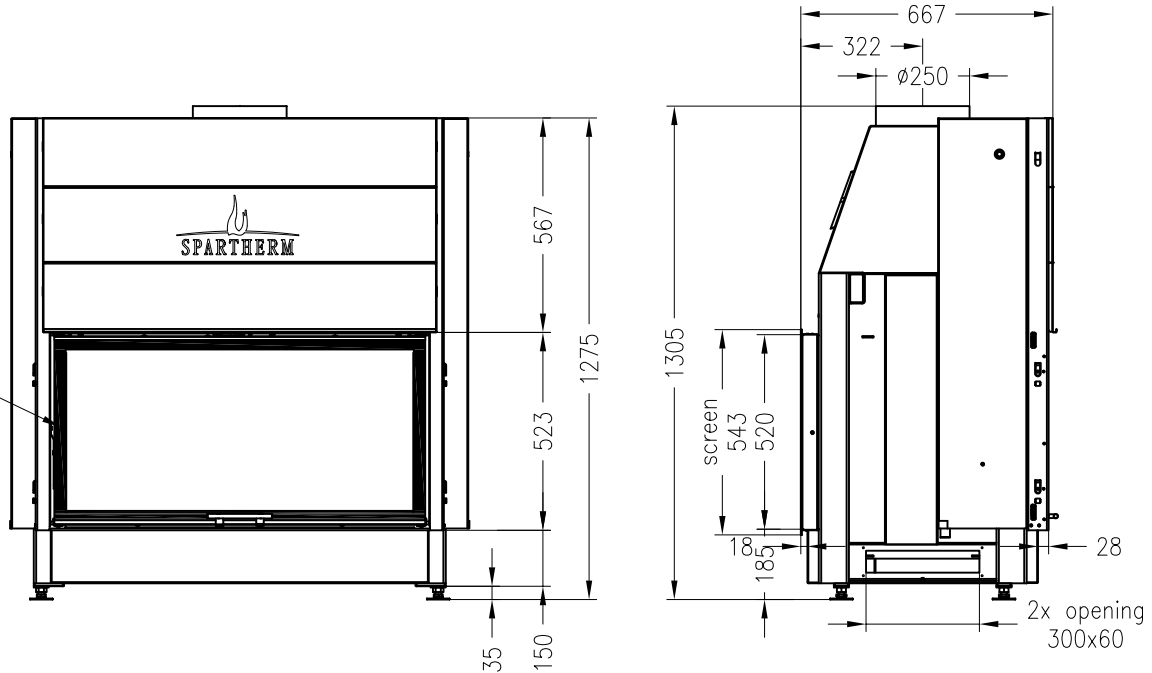
Linear 4S

as at: 11/2010

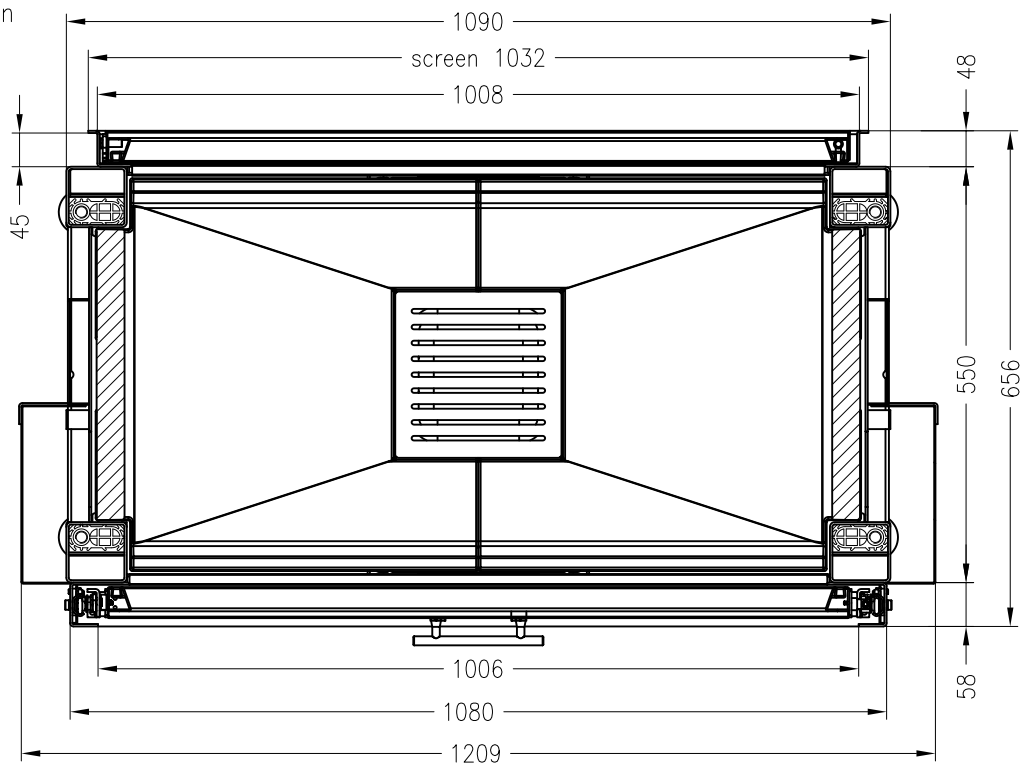
front view
M~1:20

side view
M~1:20

concealed window frame,
ceramic glass framed on 2 sides,
printed on 4 sides



horizontal section
M~1:10



All representations and drawings are protected by applicable copyright laws.
Utilisation or publication, including individual details, only with our written approval.
Technical data subject to change. Errors and omissions excepted.

Fireplace insert Varia B-FDh-3S

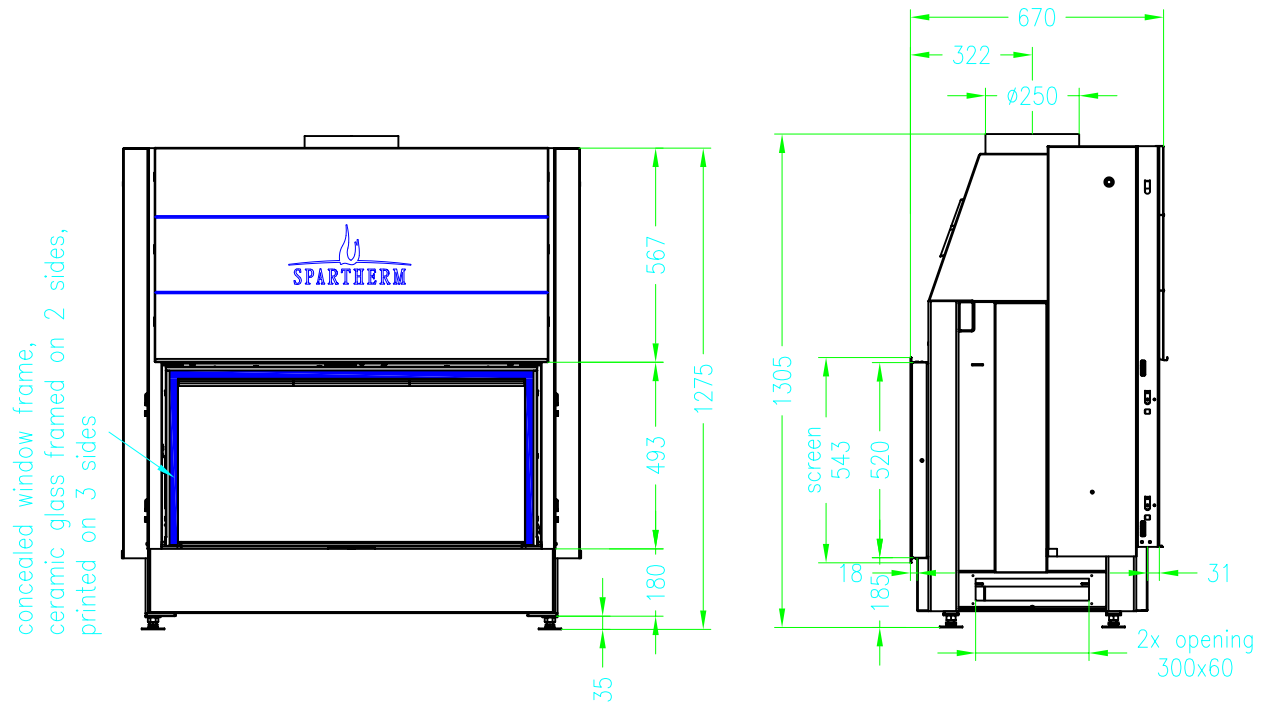
elevating door



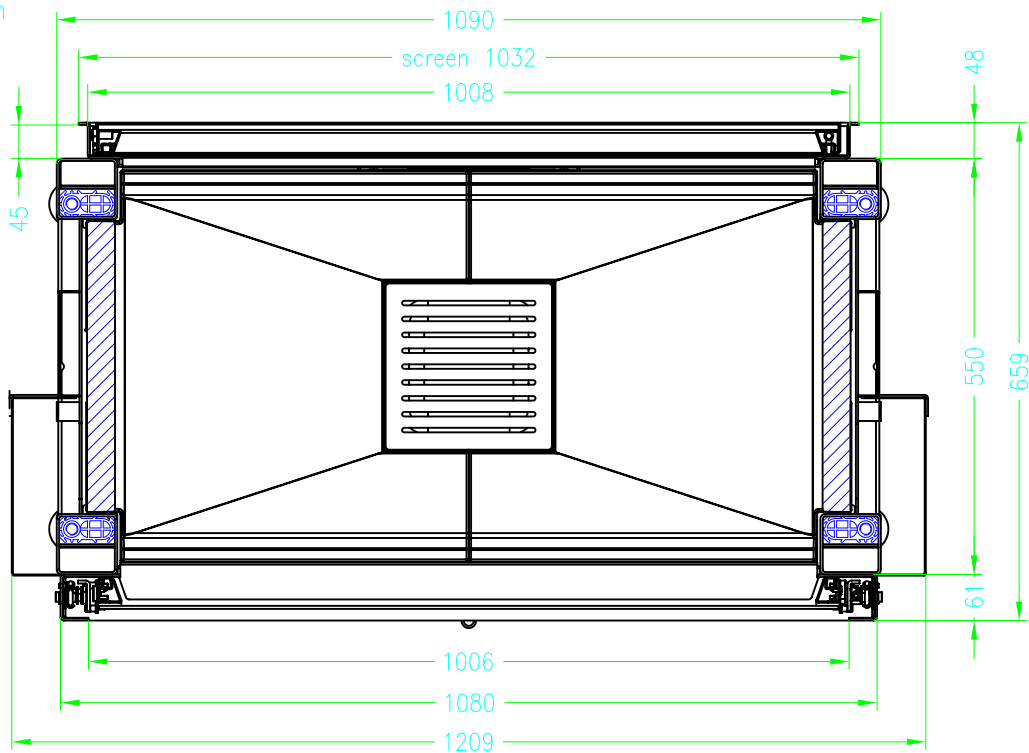
Linear 3S
as at: 11/2010

front view
M~1:20

side view
M~1:20



horizontal section
M~1:10



All representations and drawings are protected by applicable copyright laws.
Utilisation or publication, including individual details, only with our written approval.
Technical data subject to change. Errors and omissions excepted.